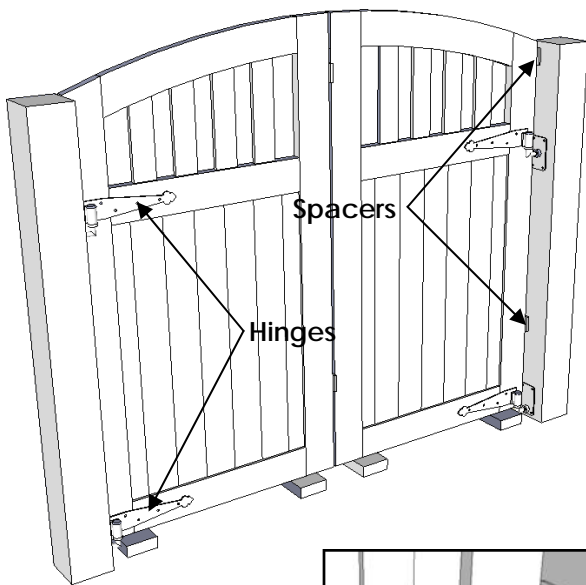


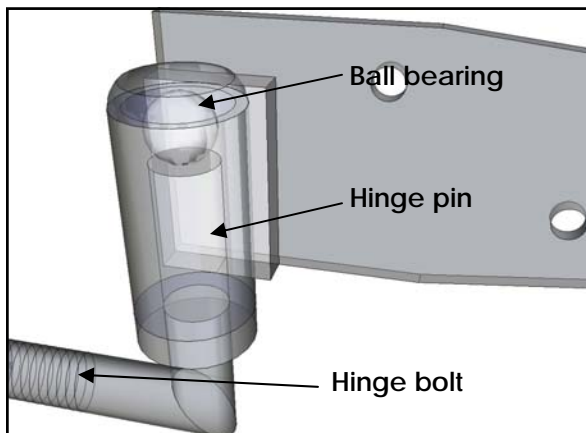
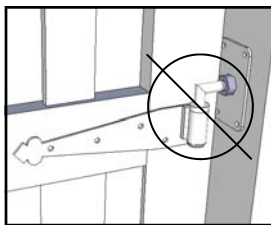
High Load Strap Hinges, with Receiver Plates

INSTALLATION INSTRUCTIONS

Please review ALL diagrams and instructions in full prior to beginning installation.



Do not install hinge with hinge pin pointing down.



HINGE INSTALLATION

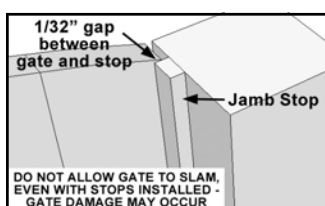
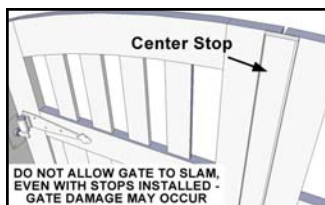
Install hinges before latching is installed.

- 1) Place gate in opening using spacers at sides and bottom to achieve necessary gaps.
- 2) Thread hinge pin into receiver plate until just engaged. Ensure the positioning will allow hinge strap to be mounted on the gate's horizontal rails. Ball bearing should be in place on top of pin when determining hinge placement for accuracy. Mark location of **corner** holes for each receiver plate on the post / wall. Layout is critical: receiver plates must be aligned vertically with one another. Mark the location of the **center** hole for the hinge pin.
- 3) If using wood post, pre-drill for the receiver plate corner hex head bolts.
- 4) At each marked **center** hole location, drill a 7/8" minimum diameter hole to accept the excess length of hinge bolt that will result. OPTION: The hinge bolt can be cut short. You must allow enough length to fully engage with the receiver plate. By cutting the excess length of the hinge bolt, horizontal adjustability of the hinge will be lost.
- 5) Mount receiver plates using provided fasteners (and masonry anchors if required). Take care not to scratch powder coating.
- 6) Fully thread hinge bolt into receiver plate, leaving approximately 1/2" of exposed thread, and hinge pins pointing upward. Using a small dab of bearing grease to hold it in place, set ball bearing on the top of the hinge pin. Lower the hinge strap over the ball bearing and hinge pin. Repeat for all hinges.
- 7) Re-position gate and, with each hinge fully assembled, mark the hole locations for each hinge strap on the gate.
- 8) Pre-drill each marked hinge strap hole location on gate. Do not drill all the way through the gate. Mount straps to gate face using hex head lag bolts provided. Do not over tighten and strip threads. Take care not to scratch powder coating.
- 9) Grease the fitting on each hinge with a grease gun and bearing grease. Failure to grease hinges will result in corrosion over time and hinge will become damaged.



STOP INSTALLATION

Failure to install gate stops will void warranties.

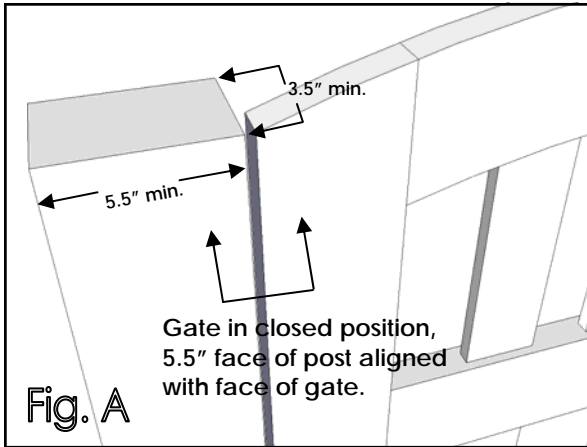


- 1) If Double Swing gate: Cut center stop to be at least as long as the gate's center height. Cut side stops to be at least as long as the gate's edge height.
- 2) Mount center stop to functional door (not side that will have the cane bolt / drop rod) using screws and/or weatherproof wood glue. The center stop may need to be split into two pieces to accommodate latch and / or cane bolt.
- 3) For both Double and Single Swing gates: Mount side stops to posts (or jambs, if applicable) using screws and/or weatherproof wood glue (such as Titebond III). Position stop with 1/32" gap between face of gate and stop when gate is closed.
- 4) A double swing gate requires the use of a cane bolt for adequate stability in the closed position.

Posts

INSTALLATION INSTRUCTIONS

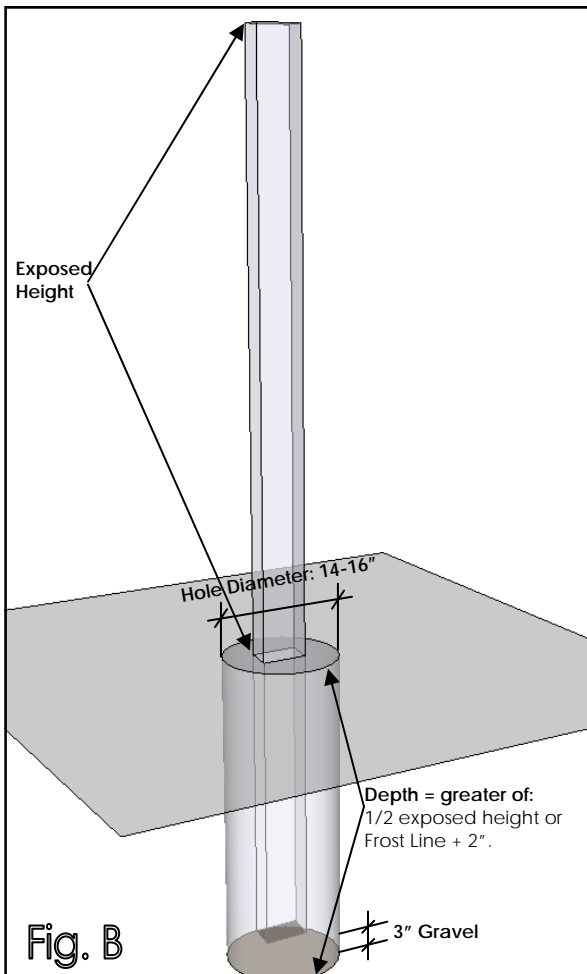
Please review ALL diagrams and instructions in full prior to beginning installation.



- Pedestrian gates are up to 4' wide and up to 7' tall.
- Gate and posts should be aligned as needed to accommodate hinges and / or latching mechanisms. Refer to appropriate installation instructions and / or design documents prior to beginning installation.
- Pressure treated posts are recommended for sub-grade post installation.

POST INSTALLATION

Install posts before gate and hinges are installed.



- 1) Post size for pedestrian gates: 4x6 minimum; 6x6 preferred (actual dimensions: 3.5" x 5.5" and 5.5" x 5.5"). If using a 4x6 post, the 5.5" face must be in line with the gate (if looking at the gate in the closed position, you will see the 5.5" face). See Fig A. If your gate is 4' - 5' wide and 4' - 7' tall, use a 6x6 post, minimum.
- 2) Footing Depth for Post: the footing should be equal to the greater of **A** or **B**.
A: 1/2 of exposed post height. If exposed post height is 72", A = 36". Minimum 20".
B: Local Frost line +2" (the local frost line can be found by contacting your local building department).
- 3) Hole diameter: 14" minimum; 16" preferred, for 4x6 or 6x6 post. See Fig B.
- 4) Footing: set post in a concrete footing over a 3" thick bed of gravel to allow for drainage and inhibit rotting of wood post. See Fig B.
- 5) Posts must be plumb. If you have ordered a gate from us, refer to your approved design documents for the appropriate post-to-post (opening) distance.